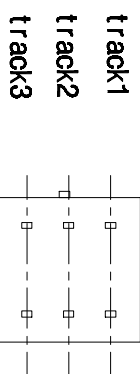
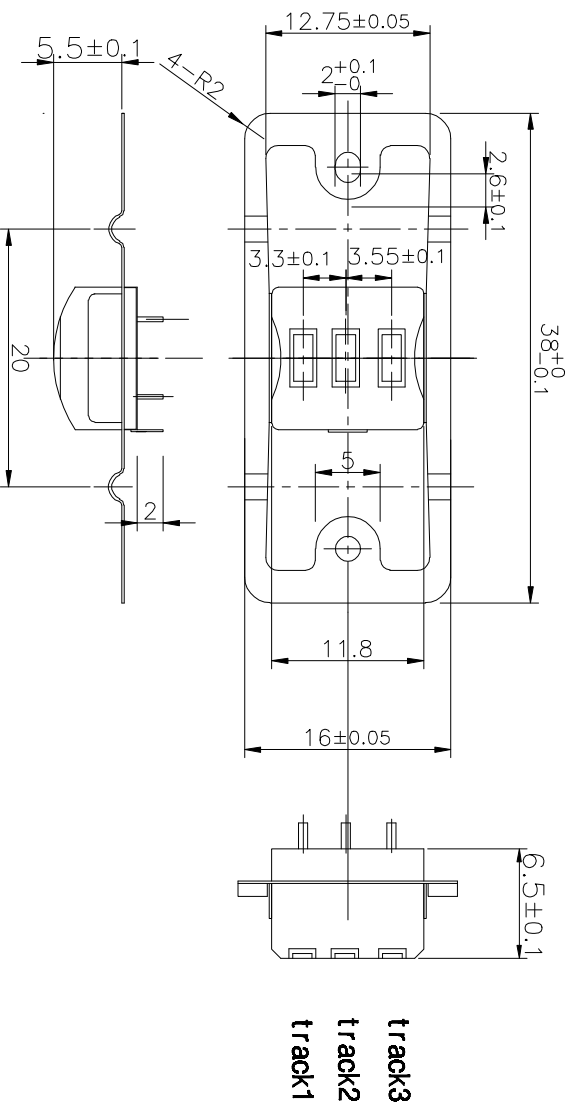


SYM	ECN NO	DATE	APPROVAL
△			



Specifications
Inductance: $28mH \pm 30\%$
DC Resistance: $140 \Omega \pm 25\%$
core material: permalloy

UNLESS OTHERWISE NOTED:
1) DIMENSIONS ARE IN MILLIMETERS
2) TOLERANCES:
.X ± .1
.XX ± .05
ANGLES ± 0°~30'

3 TRK READ HEAD

SCALE	4 / 1	MM	REV	A
MODEL	CORE MATERIAL: PERMALLOY			
DWG. NO	JHD130-4			
	01020426			

DWG	DGN	CHK	APP
ZHC			

JUNGUIN CLOVER